

PLEASE CHECK WWW.MOLEX.COM FOR LATEST PART INFORMATION

Part Number: [0354031002](#)
Status: **Active**
Description: Crimp Terminal 35403, 0.30 (.0005) to 0.85 (.0013) AWG

Documents:

Drawing (PDF)	Product Specification PS-35867-001 (PDF)
Product Specification PS-35354-003 (PDF)	RoHS Certificate of Compliance (PDF)

General

Product Family	Crimp Terminals
Series	35403
Crimp Quality Equipment	Yes
Product Name	N/A

Physical

Gender	Female
Material - Metal	Phosphor Bronze
Material - Plating Mating	Tin
Material - Plating Termination	Tin
Packaging Type	Reel
Plating min: Mating (µin)	32.00
Plating min: Mating (µm)	0.800
Plating min: Termination (µin)	32.00
Plating min: Termination (µm)	0.80
Termination Interface: Style	Crimp or Compression
Wire Insulation Diameter	1.40-1.90mm (.055-.075")
Wire Size AWG	18, 22
Wire Size mm ²	N/A

Material Info

Reference - Drawing Numbers

Product Specification	PS-35354-003, PS-35867-001
Sales Drawing	SD-35403-1002

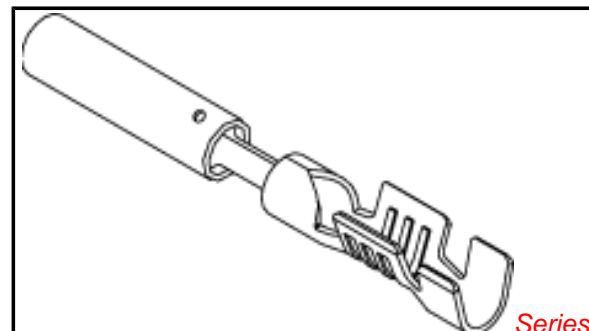


image - Reference only

EU RoHS

**ELV and RoHS
Compliant**

REACH SVHC

Contains SVHC: No

Halogen-Free

Status

Halogen-Free

**Need more information on product
environmental compliance?**

Email productcompliance@molex.com
For a multiple part number RoHS Certificate of Compliance, [click here](#)

Please visit the [Contact Us](#) section for any non-product compliance questions.

China RoHS



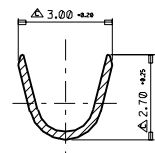
Search Parts in this Series

[35403Series](#)

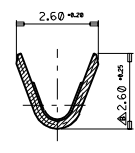
Use With

[35246 Housing](#)

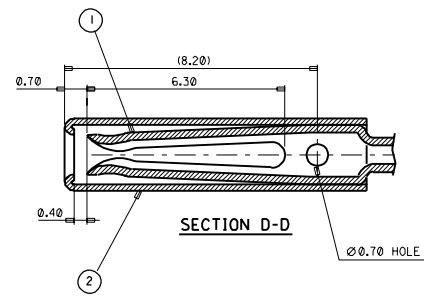
PLEASE CHECK WWW.MOLEX.COM FOR LATEST PART INFORMATION



SECTION A-A



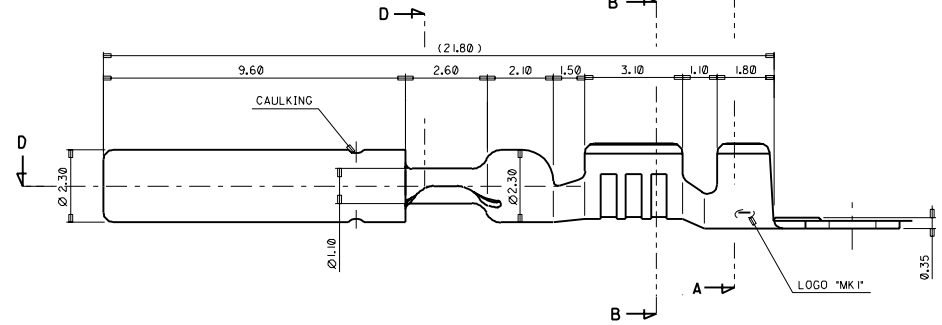
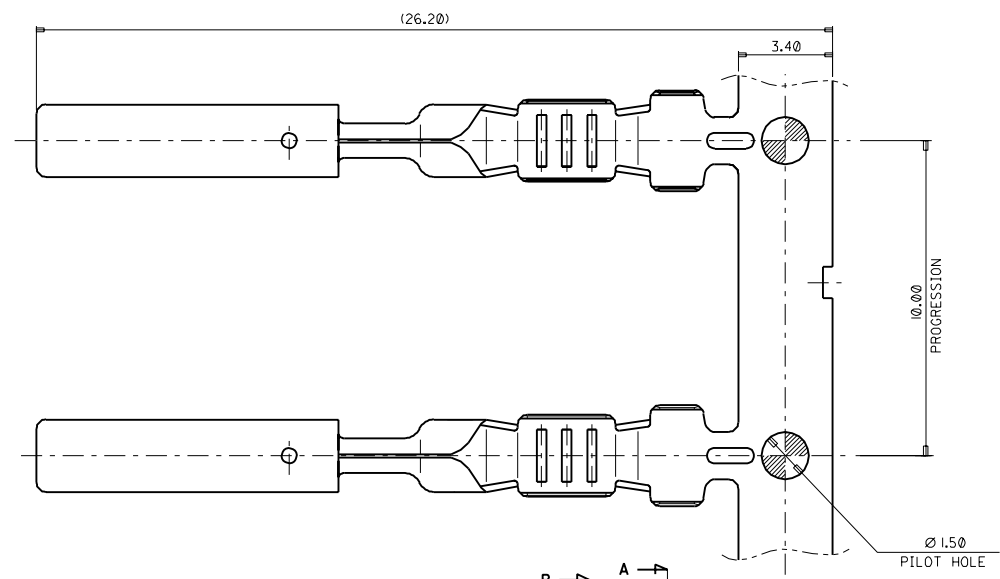
SECTION B-B



SECTION D-D



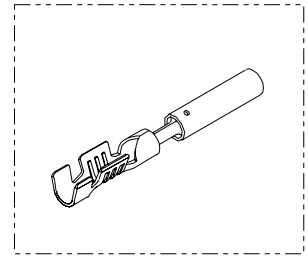
Ø 0.70 HOLE



NOTE

1. RECOMMENDED LENGTH OF WIRE STRIP: 4.0-4.6.
2. FINISH: CIRCLOCK F/TER'L BODY(TIN PLATING), SLEEVE(TIN PLATING).
3. WIRE RANGE(mm): AVS(AVSS) 0.3 - 0.85
4. MATERIAL

NO.	ENG. NO.	PART NAME	MATERIAL
1	35402-0002	CIRCLOCK F/TER'L BODY	COPPER ALLOY THICKNESS 0.25
2	35401-9102	SLEEVE	BRASS (THICKNESS: 0.25)



		MATERIAL		SEE NOTE		MOLEX MOLEX-KOREA CO.,LTD.	
△	CHANGED TITLE	KOR1997-0156	97.12.4	GENERAL TOLERANCE	DIMENSION ±0.30		
△	CHANGED DIM'S	KOR1-0888	97.07.21	ANGLE	F		
△	CHANGED FORM & DIM'S	97-014	97.02.14	▽	CRITICAL		
A	NEW RELEASED	96-132	96.12.2	1	REFERENCE		
LTR	REVISION RECORD	ECN	DATE	ASS'Y PART		TITLE;	
REVISE ONLY ON CAD SYSTEM				DESCRIPTION		CIRCLOCK FEMALE TER'L	
				ENG. NO.		SD35403-1002	
				REV		D	